

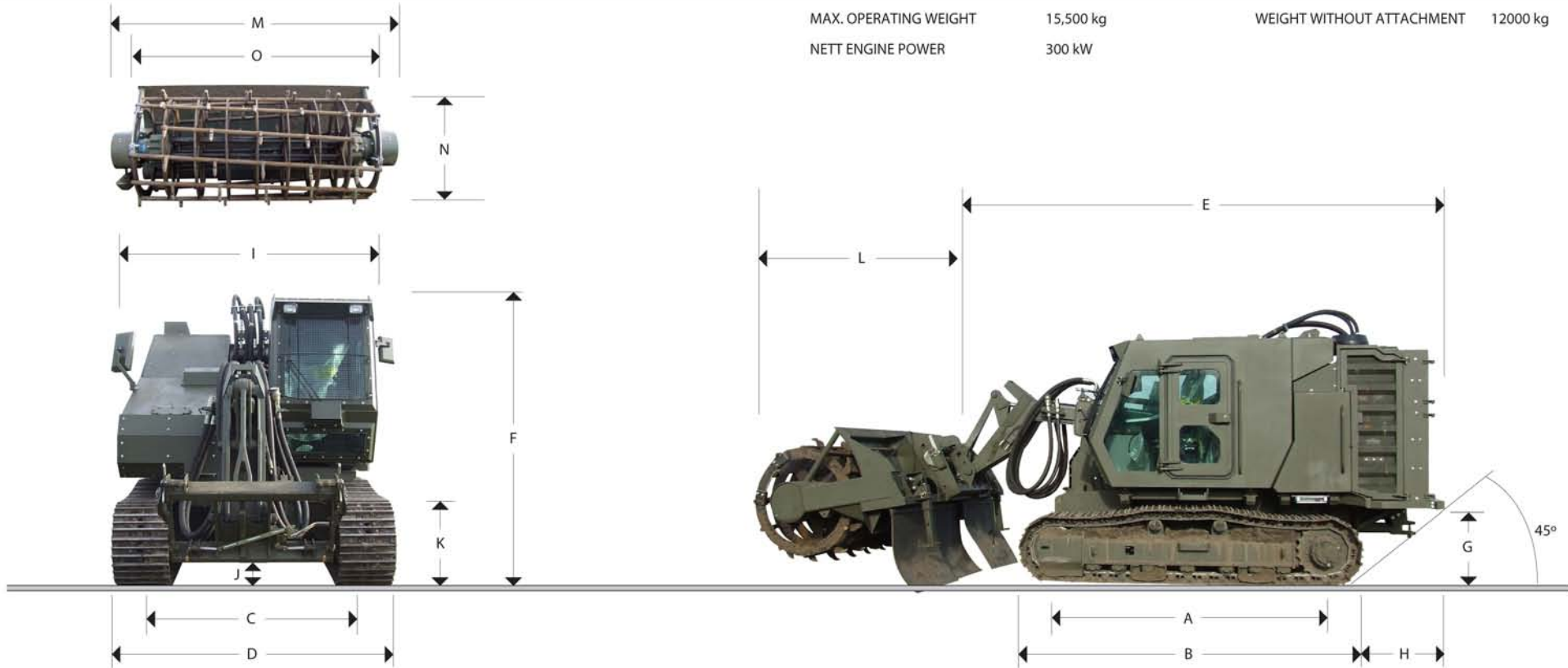
Armtrac 400



MAX. OPERATING WEIGHT 15,500 kg

WEIGHT WITHOUT ATTACHMENT 12000 kg

NETT ENGINE POWER 300 kW



STATIC DIMENSIONS

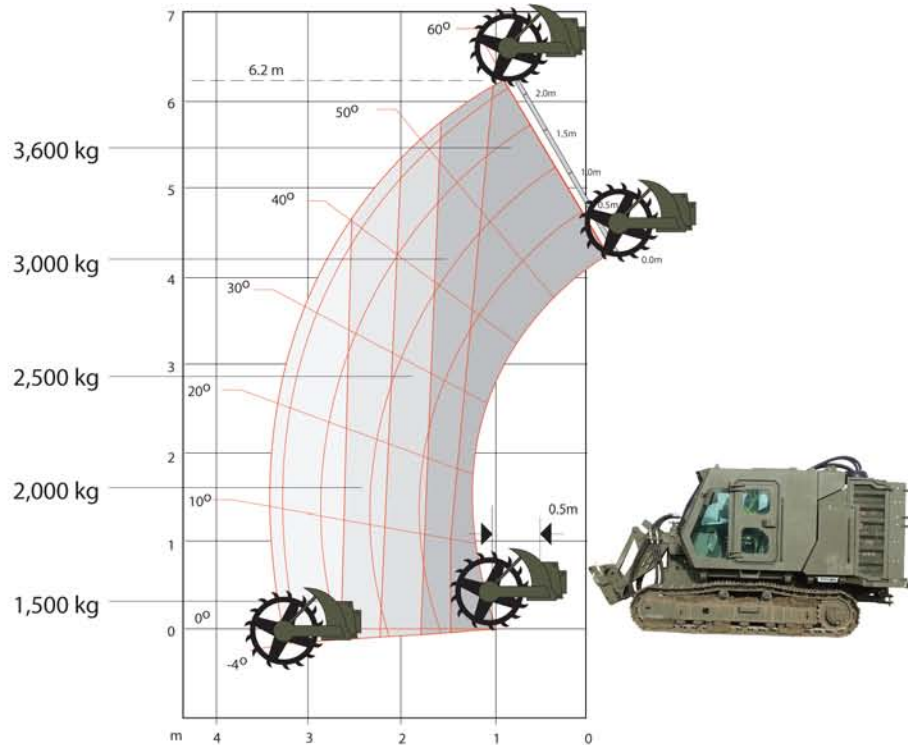
Dimensions in millimetres	Armtrac 400
A Track length on ground	3090mm
B Under carriage overall length	3940mm
C Track gauge	1990mm
D Width over tracks (500mm trackshoes)	2510mm
Dipper length	
E Transport length-overall length to front of carriage	5550mm
F Transport height	3300mm
G Under carriage height	500mm
H Under carriage to rear chassis	500mm

Dimensions in millimetres	Armtrac 400
I Width of superstructure	2470mm
J Ground clearance	470mm
K Track height	880mm
L Tiller Length	1850mm
L Flail Length	2000mm
M Tiller and Flail Width	3670mm
N Tiller Height	1500mm
N Flail Height	2100mm
O Tiller and Flail Clearance Path	3000mm

Armtrac 400



LIFT PERFORMANCE – 400



LIFT PERFORMANCE – 400

Machine Model		400
Maximum lift capacity	kg(lb)	3600 (7936)
Lift capacity to full height	kg(lb)	3600 (7936)
Lift capacity at full reach	kg(lb)	1500 (3307)
Lift height	m(ft-in)	6.20 (20-4)
Reach at maximum lift height	m(ft-in)	0.87 (2-10)
Maximum forward reach	m(ft-in)	3.30 (10-10)
Reach with 1 tonne load	m(ft-in)	3.30 (10-10)
Placing height	m(ft-in)	5.42 (17-10)

ENGINE

Latest technology and advanced design provides low fuel consumption, reduced noise, high torque and power output, total reliability and minimal maintenance.

Two-stage, dry type air filter with primary and safety elements.

Machine Model		400
Manufacturer		Deutz
Model		BF6M
Displacement	cm ³	11906
No. of cylinders		6
Bore size	mm	132
Stroke	mm	145
Aspiration		Turbo/Intercooler
Power rating		
Power@1900	kW (HP)	300kW
Torque rating		
Torque @ 1300rpmNm (lbf ft)	425 (313.5)532 (392.4)	425 (313.5)
Fuel Consumption		35 - 45 L/H
Water Cooled working temp		55° ambient

TRACK DRIVE

Type: Fully hydrostatic two speed.

Travel motors: Variable swash axial piston type fully guarded within under carriage frame.

Final drive: Planetary reduction, bolt-on sprockets.

Travel Speed: High 7.0 km/h continuous

Tractive effort: 151 kn

BRAKES

Service brakes: Hydraulically counter balance valve to prevent over speeding on gradients.

Parking brake: Disc type, spring applied, automatic hydraulic release.

ELECTRICS

24 v negative earth. 145 AH battery. 55 amp alternator. Full road lighting. Reversing light. Horn.

Reverse alarm. Optional remote radio control to a distance of 1km.

STEERING

One lever 4 position joystick controls (hard wired and remote control) forward / reverse left and right.

Left and right position allows one track to turn in one direction and the other track in the opposite direction allowing the machine to turn in a complete circle on the spot.

Armtrac 400



BOOM AND CARRIAGE

The boom is manufactured of high tensile steel that can extend and retract and has a quick fit self levelling carriage with a lever operated pin locking system this allows the Armtrac 400 to be a multi function machine for de-mining, loading trucks and lifting heavy objects with fork lift tines.
Low maintenance hard wearing pads are fitted to the boom.
One boom end auxiliary hydraulic service fitted as standard.

SAFETY CHECK VALVES

Fitted to carriage tilt, telescopic and boom lift rams.

SERVICE CAPACITIES

Fuel tank	litres (UK gal)	470 (100)
Hydraulic tank	litres (UK gal)	800 (170)
Coolant	litres (UK gal)	21 (4.5)
Track gear box	litres (UK gal)	5 (1)
Splitter box	litres (UK gal)	10 (2)

HYDRAULICS

Operating @ 2000rpm	Relief valve setting	Maximum Flow
Variable displacement pumps		
Flail / Tiler	350 bar	350 L/min
Track per track	343 bar	140L/min
Gear pumps		
Auxiliary	250 bar	60 L/min
Oil Cooler fan	100 bar	30 L/min
Water cooler fan	100 bar	30 L/min

FILTRATION

The hydraulic components are protected by the highest standard of filtration to ensure long hydraulic fluid and component life.

In Tank	90 micron suction strainer
Main return line	25 micron paper elements
Driver Lines	10 micron pressure filter

HYDRAULIC CYLINDERS

Double acting type, with bolt up end caps and hardened steel bearing bushes. Hose burst check valves for boom and carriage rams.

Accumulators fitted to carriage ram for cushioning against Anti Tank mine blast pressure.

DELUXE CAB

Quiet and comfortable cab constructed of 10mm armour steel and 37mm Polycarbonate tinted glass all round and conforms to 7.6 NATO ball, ROPS ISO 3471 and FOPS ISO 3449. Front window bars, screen wash/wipe and heater/screen demister. Opening roof escape hatch. Audio-visual warning system for coolant temperature, water in fuel, engine oil pressure, air cleaner, battery charge, transmission oil temperature and pressure. Hourmeter indicator, engine temperature, fuel gauge and clock. Single lever joystick, incorporating forward/neutral/reverse transmission disconnect, with progressive extend/retract and auxiliary incorporating constant flow facility (LSP+).

Adjustable steer column with stalk bar and forward reverse shuttle. Throttle and brake.

Adjustable deluxe suspension seat.

Automatic eye level audio-visual load moment indicator warning system.

TILLER CLEARANCE CAPACITY

Tiller	Flail
Picks 66	Chains 76
Diameter 1300mm	Diameter 2200mm
Rotation 350 rpm	Rotation 350rpm
Clearance speed	
Light soil medium vegetation	21,000m ² / HR
Medium soil medium vegetation	17,000m ² / HR
Heavy soil heavy vegetation	12,000m ² / HR
Maximum working depth	50cm

Explosive charge tested to anti tank 8.8 and anti fragmentation mines. Damage, chains and pick replacement only.
Depth control visual light indicator and engine management system beat patent 10mm square

UNDER CARRIAGE

Recovery point	Front and back
Upper and lower rollers	Heat treated sealed and lubricated
Track adjustment	Grease cylinder type
Track idler	Sealed and lubricated
Recoil	Spring 2
Track shoe	500 mm
Roller and shoe (each side)	Upper rollers 2
	Lower rollers 7
	Track shoes 43
	Track guides 1

OPTIONS AND ACCESSORIES

Options: Multi purpose bucket / blade, fork lift tines, back hoe, standard bucket, tool box.
Armtrac Sifter.

Armtrac 400



Towing Armtrac Sifter



With Boom Extended

A GLOBAL COMMITMENT TO QUALITY

Armtrac's total commitment to its products and customers has helped it grow from a one-man business into Britain's largest privately owned manufacturer of de-mining and construction machines.

By making constant and massive investments in the latest production technology, the Armtrac factory has become one of the most advanced in the demining world.

By leading the field in innovative research and design, extensive testing and stringent quality control, Armtrac machines are becoming renowned all over the world for performance, value and reliability.

With global sales and service network of over 40 distributors, the company exports over 70% of its production to all five continents.

Through setting the standards by which others are judged, Armtrac has become one of Britain's most impressive success stories.

